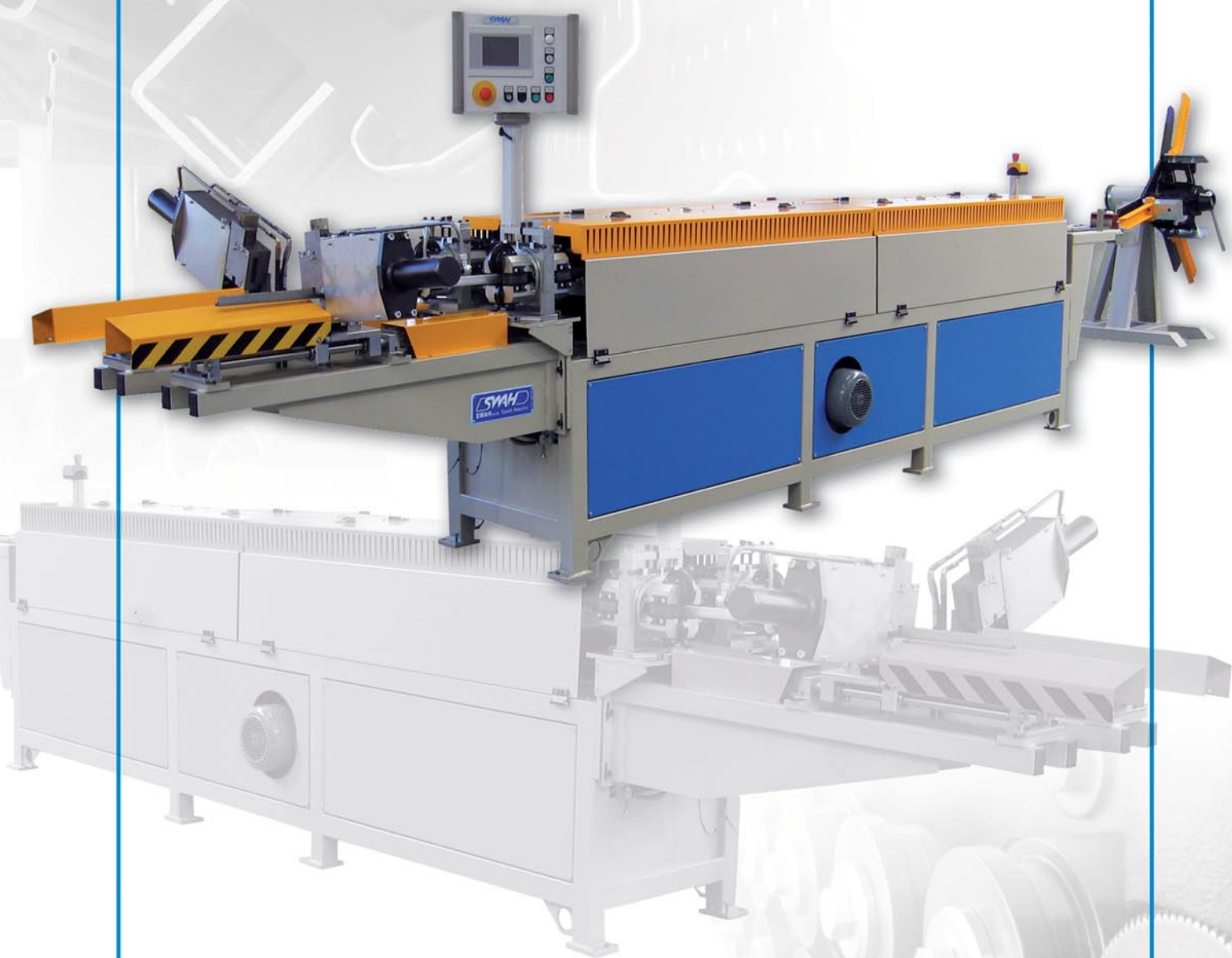


■ Roll-forming machine VS5



SWAH

www.swah.cz



Roll-forming machine VS5

Roll-forming machine VS5

This machine is designed for fully automatic forming of HVAC flanges from the coil, with cutting to lengths exactly according to the size of the duct. This is suitable for all types of manufacturers who wish to be independent of external suppliers and who wish to make flanges inexpensively, easily and precisely.

The VS5 roll-forming machine was specially designed for the production of HVAC flanges in the sizes of 20 and 30 mm for medium and large-scale producers of square HVAC ducts. Its principal advantage is that it is no longer necessary to purchase the flanges in lengths of 4 to 6 m and then cut them to specific sizes. Profiles can be produced on this machine with dimensions exactly corresponding to those of manufactured air ducts.

The VS5 roll-forming machine consists of several parts. At the beginning of the process, sheet metal is unwound from the vertical de-

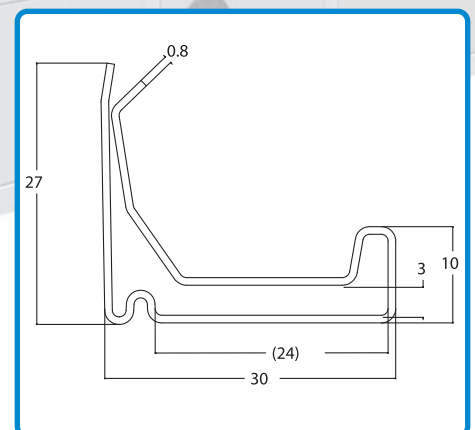
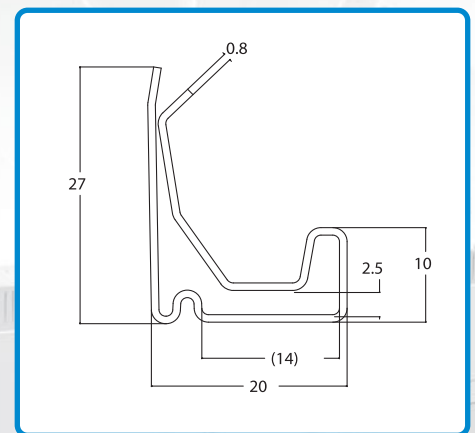
coiler and it then enters through a feed into the main rollformer. Subsequently the flange is straightened and cut by hydraulic shears into the desired number of pieces of the required length, precisely in accordance with the set parameters. The automatic line control system can be also connected to the central production control.

Even changing of production from 20 mm to 30 mm and from 30 mm to 20 mm flange is also very simple; it is requisite only to feed the sheet metal either into the left or the right side of the machine and to switch the control system.

The line can also be equipped with a device for the injection of the sealant during the actual forming process.

Technical specifications:

Voltage:	400 V
Power consumption:	5,5 kW
Number of forming passes:	2 x 20
Diameter of the forming shafts:	35 h 7
Horizontal distance between the shafts:	160 mm
Profiling speed:	2 – 14 m/min. (Depending on the length of the flange)
Shearing:	2 x Hydraulic shears
Number of decoilers:	the standard number is 2
Sheet metal width for a flange of 20 mm:	95 mm
Sheet metal width for a flange of 30 mm:	115 mm
Thickness of strip for both flanges:	0,8 mm
Required quality for the sheet metal for both flanges:	DX51D + Z275 MA, (DX52D + Z 275MA) in accordance with EN 10142/10143
Weight of machine:	3,000 kg
Dimensions (h x w x l):	6000 x 1800 x 1500 mm



SWAH S.R.O. Pražská 354, 252 29 Dobřichovice – Lety Česká republika
Tel.: +420-257 712 828, +420-257 710 741 Fax: +420-257 712 818
E-mail: info@swah.cz <http://www.swah.cz>